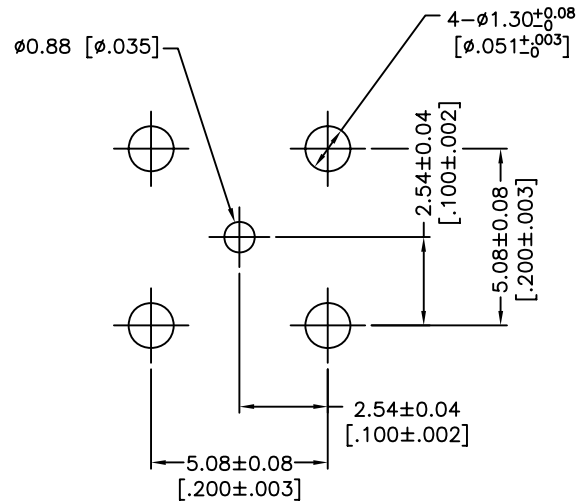
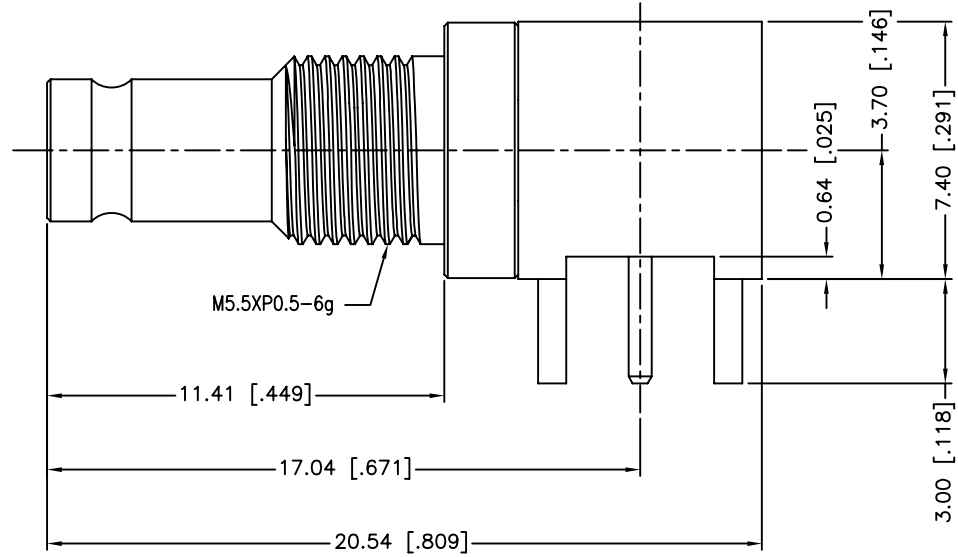
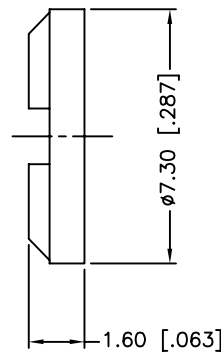
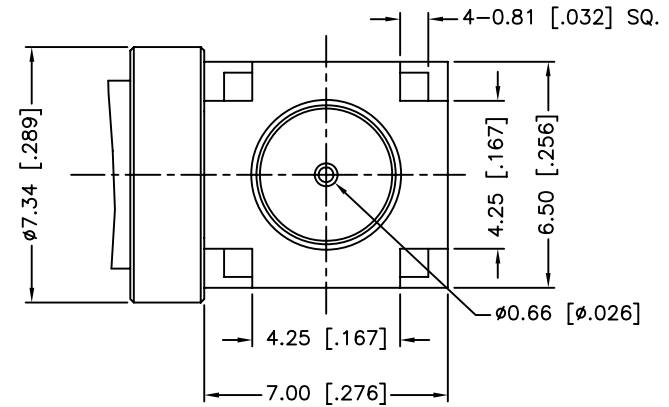


REV.	DATE	ECR NO.	DESCRIPTION
NC	08/04/10	XXXXXX	INITIAL RELEASE



RECOMMENDED MOUNTING HOLE



1. FREQUENCY RANGE: DC 0-3 GHz
2. VSWR(RETURN LOSS): 1.15, MAX.

UNLESS OTHERWISE SPECIFIED DIMENSIONS ARE IN MILLIMETERS. DIMENSIONS IN [ ] ARE IN INCHES AND FOR CUSTOMER REFERENCE ONLY.

UNLESS OTHERWISE SPECIFIED TOLERANCES FOR MILLIMETERS ARE:  
0.5 - 8mm ± 0.20mm  
8 - 30mm ± 0.40mm  
30 - 120mm ± 0.50mm

UNLESS OTHERWISE SPECIFIED TOLERANCES FOR INCHES ARE:  
.020 - .315 = ± 0.007"  
.315 - 1.180 = ± 0.015"  
1.180 - 4.724 = ± 0.020"

DO NOT SCALE DRAWING

APPROVALS		DATE
DRAWN	M.ZHANG	08/04/10
CHECKED		
ISSUED		
SHEET	1 OF 1	
CAD FILE	C:/CONNEX/282139-75.DWG	

<b>Amphenol Connex</b>			
PART DESCRIPTION			
1.0/2.3 R/A BULKHEAD PCB RECEPT. JACK (75 ohm)			
PART NO.		282139-75	
DWG. NO.	282139-75.DWG	REV.	NC
SIZE	A	SCALE	NA

DESCRIPTION	MATERIAL	FINISH	QTY
6 SPANNER NUT	BRASS	NICKEL	1
5 INSULATOR	PTFE	NATURAL	1
4 HOUSING	BRASS	BRIGHT TIN	1
3 INSULATOR	PTFE	NATURAL	1
2 CONTACT PIN	PHOSPHOR BRONZE	GOLD	1
1 BODY	BRASS	GOLD	1